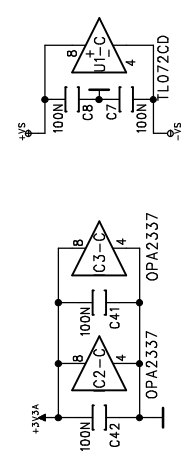
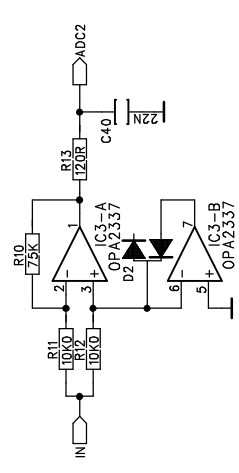
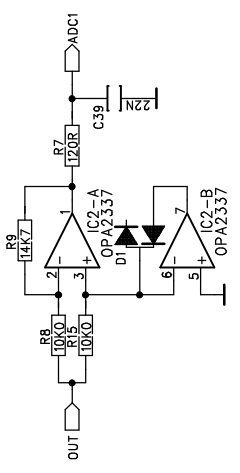
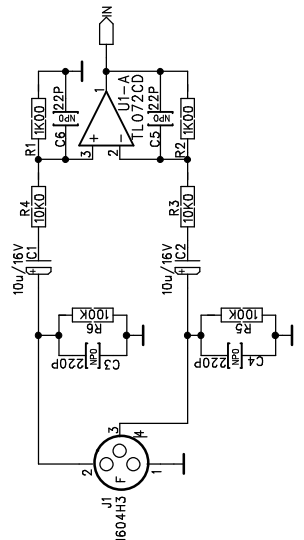


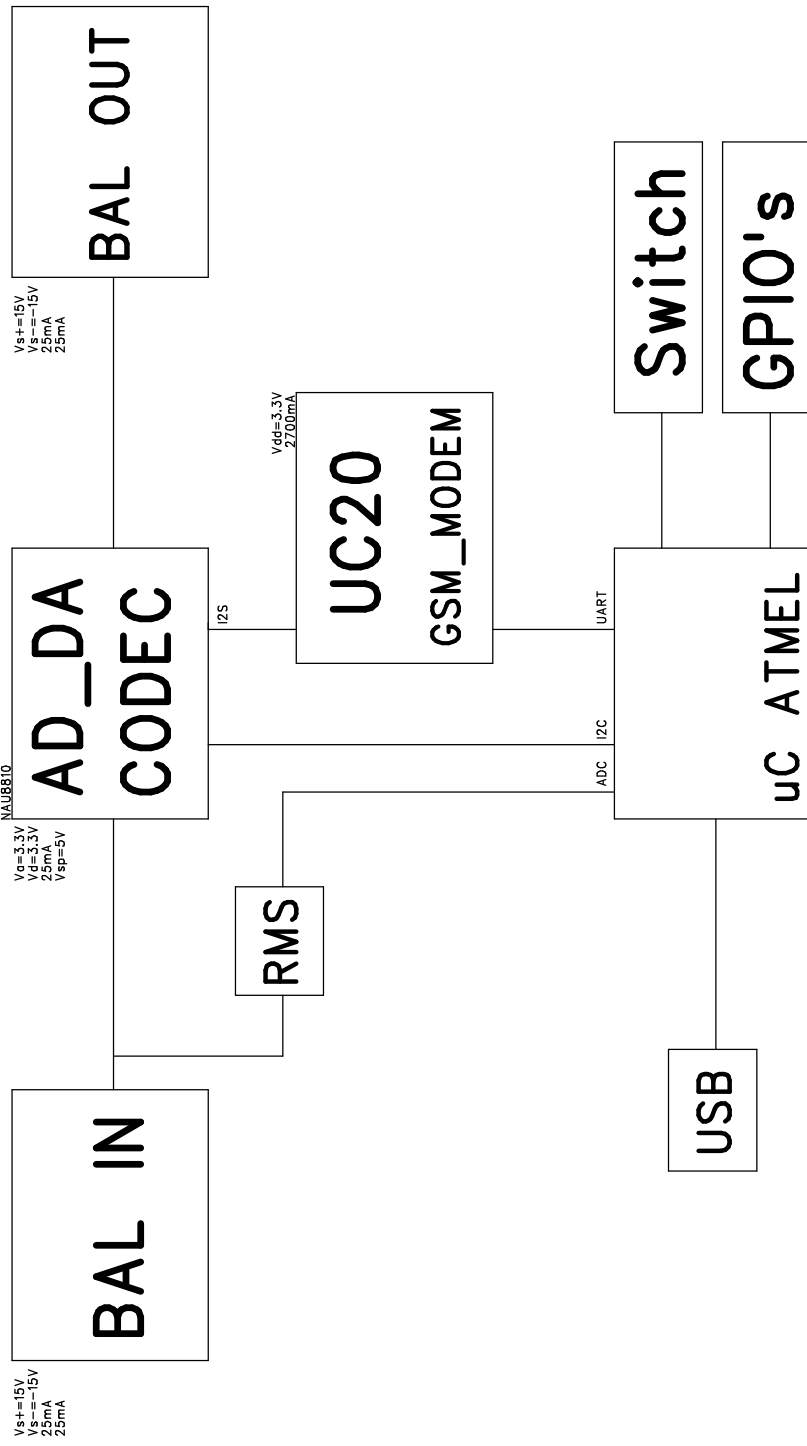
Optional Do Not Place



Project: GSMHybrid	
Title: Audio IN/OUT	
File: GSM-Hybrid_p.sch	
code: 10201901	Rev: C
Date: 06-07-2018	Sheet: 2 of 5
Design: Jaac van der Linden	
Modify: -----	

D&R
 Rijnkade 15b
 1382 GS Weesp
 The Netherlands
 phone: 0294-418014
 fax: 0294-416987

D&R Electronica B.V.
 Design: Jaac van der Linden
 Modify: -----

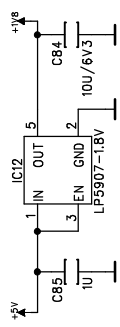
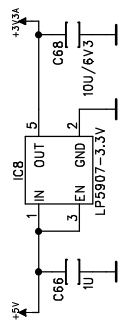
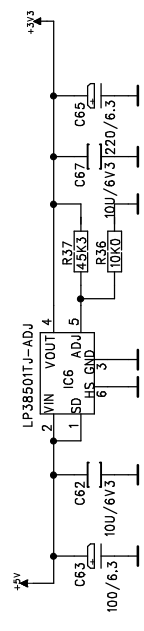
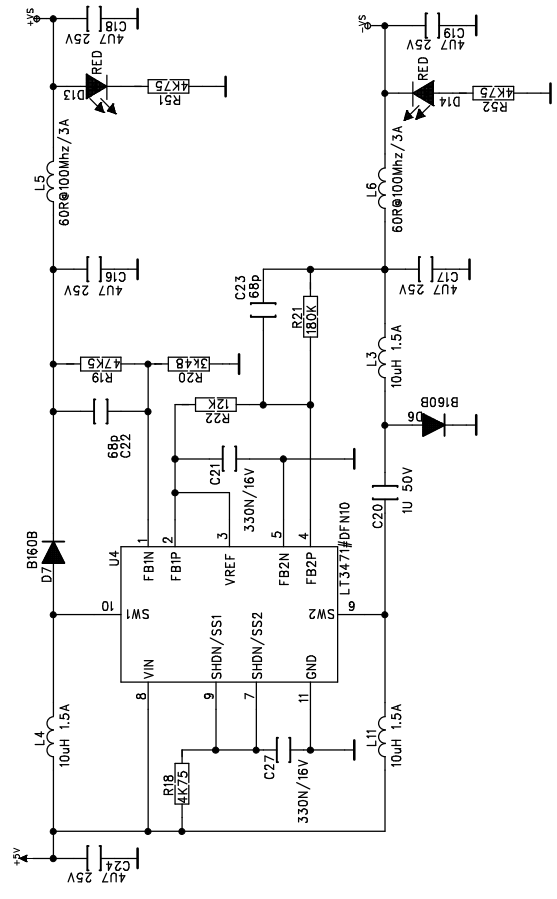
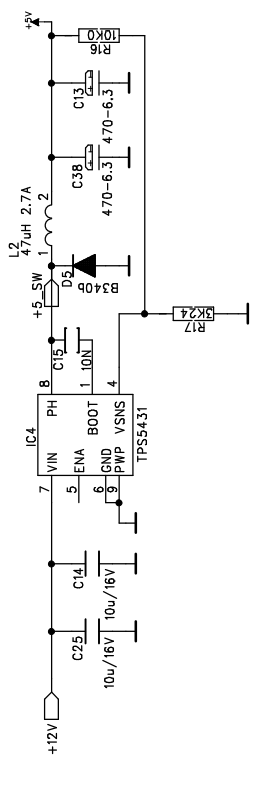
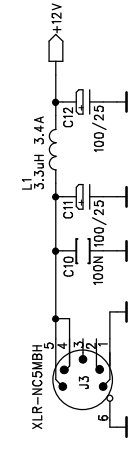


- 1 REF2
- 0#FIDUCIAL
- 1 REF1
- 0#FIDUCIAL
- 1 J9
- 0#FIDUCIAL


D&R
 Rijnkade 15b
 1382 GS Weesp
 The Netherlands
 phone: 0294-418014
 fax: 0294-416987

D&R Electronica B.V.
 Design: Jaac van der Linden
 Modify: _____

Project: **GSMHybrid**
 Title: **Block Diagram**
 File: **GSM-Hybrid_c.sch**
 code: **10201901**
 Date: **06-07-2018**
 Sheet: **1** of **5**

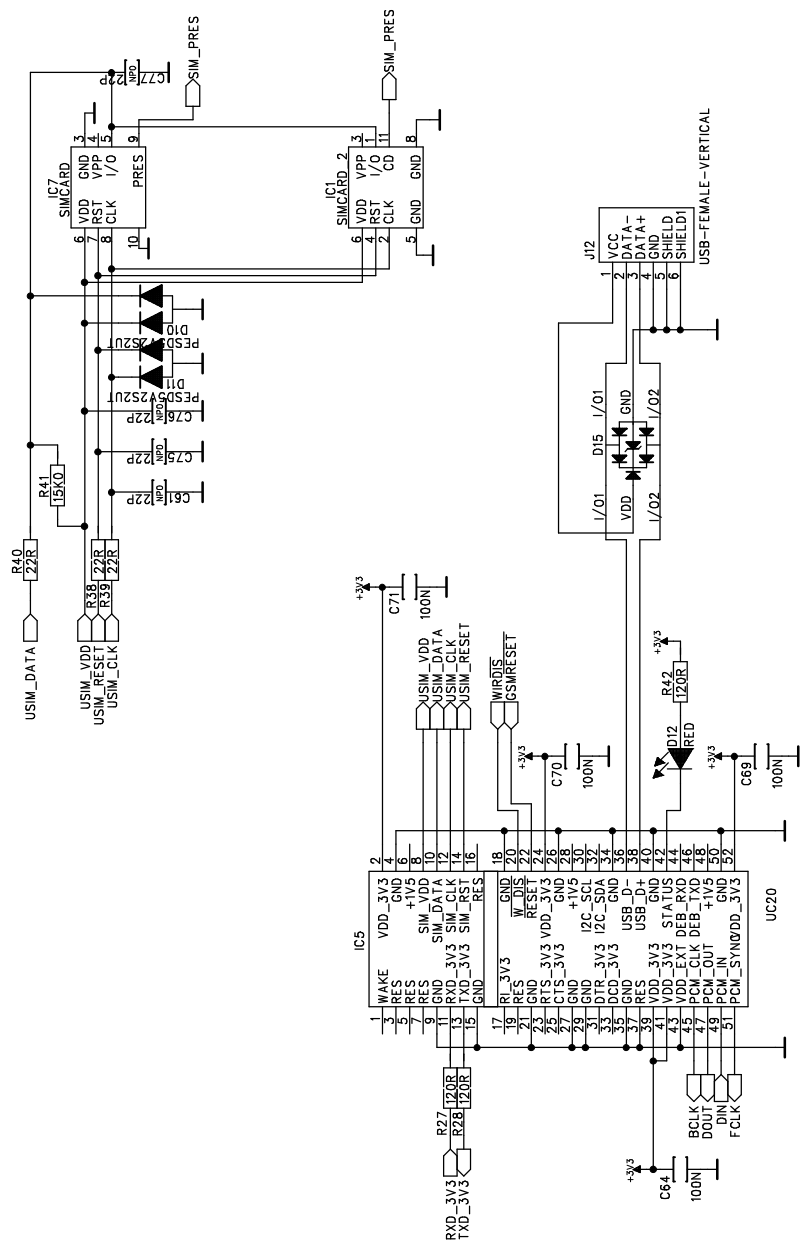


MODIFICATION DATE:14-02-2018

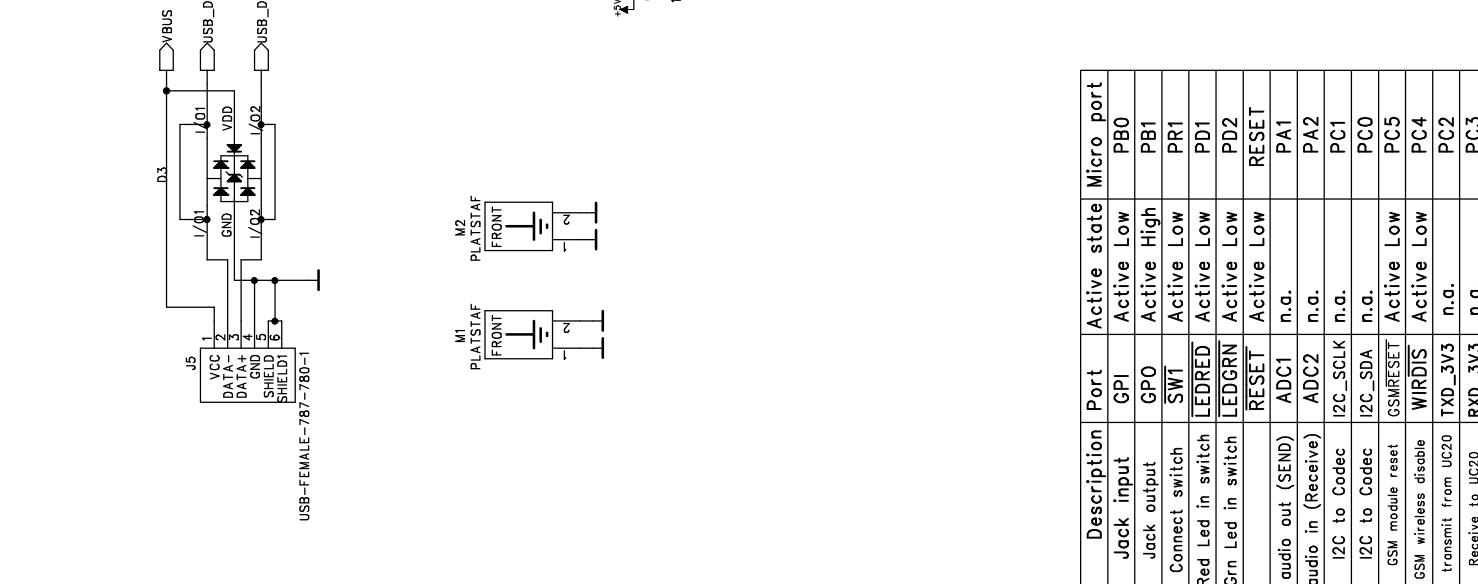
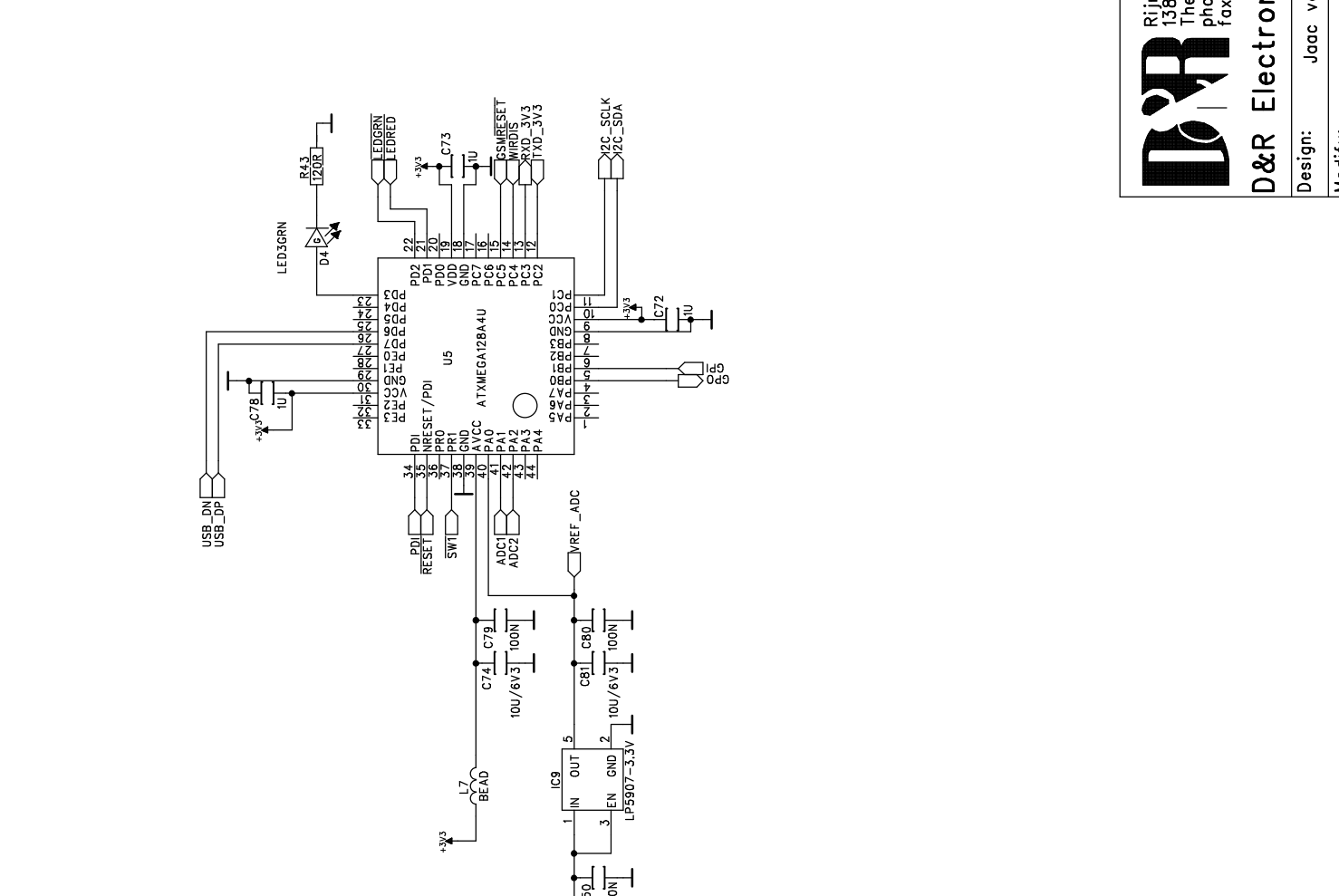
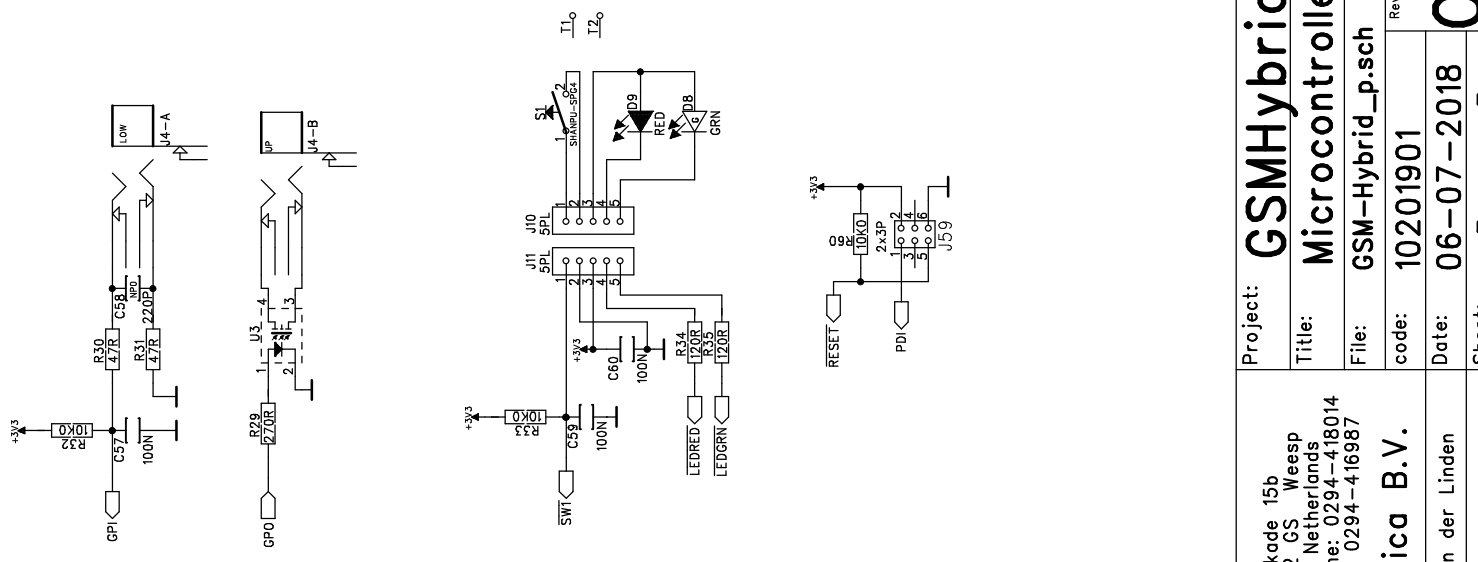
 Rijnkade 15b 1382 GS Weesp The Netherlands phone: 0294-418014 fax: 0294-416987	Project:	GSMHybrid
	Title:	PSU
	File:	GSM-Hybrid_C.sch
	code:	10201901
Design:	Jaac van der Linden	Date: 06-07-2018
Modify:		Sheet: 3 of 5

J16 J23
J17 J24

Rev: **C**



D&R Rijnkade 15b 1382 GS Weesp The Netherlands phone: 0294-418014 fax: 0294-416987	Project:	GSMHybrid
	Title:	GSM Module (USC20)
D&R Electronica B.V. Design: Jaac van der Linden Modify: -----	File:	GSM-Hybrid_p.sch
	code:	10201901
	Date:	06-07-2018
	Sheet:	4 of 5



Description	Port	Active state	Micro port
Jack input	GPI	Active Low	PB0
Jack output	GPO	Active High	PB1
Connect switch	SW1	Active Low	PR1
Red Led in switch	LEDRED	Active Low	PD1
Grn Led in switch	LEDGRN	Active Low	PD2
audio out (SEND)	ADC1	n.a.	PA1
audio in (Receive)	ADC2	n.a.	PA2
I2C to Codec	I2C_SCLK	n.a.	PC1
I2C to Codec	I2C_SDA	n.a.	PC0
GSM module reset	GSMRESET	Active Low	PC5
GSM wireless disable	WIRDIS	Active Low	PC4
transmit from UC20	TXD_3V3	n.a.	PC2
Receive to UC20	RXD_3V3	n.a.	PC3

D&R
 Rijnkade 15b
 1382 GS Weesp
 The Netherlands
 phone: 0294-418014
 fax: 0294-416987

Project: **GSMHybrid**
 Title: **Microcontroller**
 File: **GSM-Hybrid_p.sch**
 code: **10201901**
 Date: **06-07-2018**
 Sheet: **5** of **5**

Design: **Jaac van der Linden**
 Modify:

Rev: **C**

D&R Electronica B.V.